

Mi-T-M[®] CORPORATION

8650 Enterprise Drive, Peosta IA 52068
563-556-7484 / Fax 563-556-1235

PARTS LIST FOR

CW-2504-4UH0

CW-3004-4UGH

CW-2505-4UGH

CW-3504-4UGH

Engine Oil Grade:

SAE10W-30

Engine Oil Capacity:

37.2 oz.

Pump Oil Grade:

Mi-T-M Pump Oil #AW-4085-0016

Pump Oil Capacity:

CW-2504-4UH0

14.0 oz.

CW-2505/3004/3504-4UGH

40.6 oz.

Nozzle Size:

CW-2504-4UH0

4.5

CW-2505-4UGH

5.5

CW-3004/3504-4UGH

4.0

This Parts Listing has been compiled for your benefit. You can be assured your Mi-T-M Cold Water Pressure Washer was constructed and designed with quality and performance in mind using over 25 years experience in the pressure washer business. Each component has been rigorously tested to insure the highest level of acceptance.

The contents of this Parts Listing are based on the latest product information available at the time of publication. Mi-T-M reserves the right to make changes in price, color, materials, equipment, specifications or models at any time without notice.

WARNING

THIS IS A PROFESSIONAL HIGH PRESSURE, COLD WATER PRESSURE WASHER. CAUTION SHOULD BE OBSERVED WHEN USING OR REPAIRING THIS UNIT! READ AND FOLLOW THE SAFETY WARNINGS LISTED BELOW BEFORE ATTEMPTING ANY REPAIRS ON THIS PRESSURE WASHER!

SAFETY WARNINGS

1. NEVER alter or modify the equipment. Be sure any accessory items and system components being used will withstand the pressure developed. Use only genuine Mi-T-M parts for repair of your pressure washer. Failure to do so can cause hazardous operating conditions and will VOID warranty.
2. NEVER make adjustments on machinery while the unit is connected to the power source. Turning over the machinery by hand during adjustment or cleaning might start the machinery, causing serious injury to the operator.
3. Know how to stop and bleed pressures quickly. Be thoroughly familiar with controls.
4. Before servicing the unit, turn unit off, relieve the water pressure and allow the unit to cool down. Do not make repairs while the unit is running. Service in a clean, dry, flat area.
5. After testing the machine, DO NOT leave the pressurized unit unattended. Shut off the unit and release trapped pressure before leaving.

Table of Contents

SPECIFICATIONS FOR CW-2504-4UH0 AND CW-2505-4UGH	4
SPECIFICATIONS FOR CW-3004-4UGH AND CW-3504-4UGH	5
FRAME ASSEMBLY FOR CW-2504-4UH0	6
FRAME ASSEMBLY FOR CW-2505-4UGH	8
FRAME ASSEMBLY FOR CW-3004-4UGH	10
FRAME ASSEMBLY FOR CW-3504-4UGH	12
PUMP ASSEMBLY (3-0121) FOR CW-2504-4UH0	14
PUMP ASSEMBLY (3-0202) FOR CW-2505-4UGH AND CW-3004-4UGH	16
PUMP ASSEMBLY (3-0203) FOR CW-3504-4UGH	18
UNLOADER ASSEMBLY (8-0270)	20
GUN ASSEMBLY (16-0001)	22

SPECIFICATIONS FOR CW-2504-4UH0 AND CW-2505-4UGH

CW-2504-4UH0/2505-4UGH

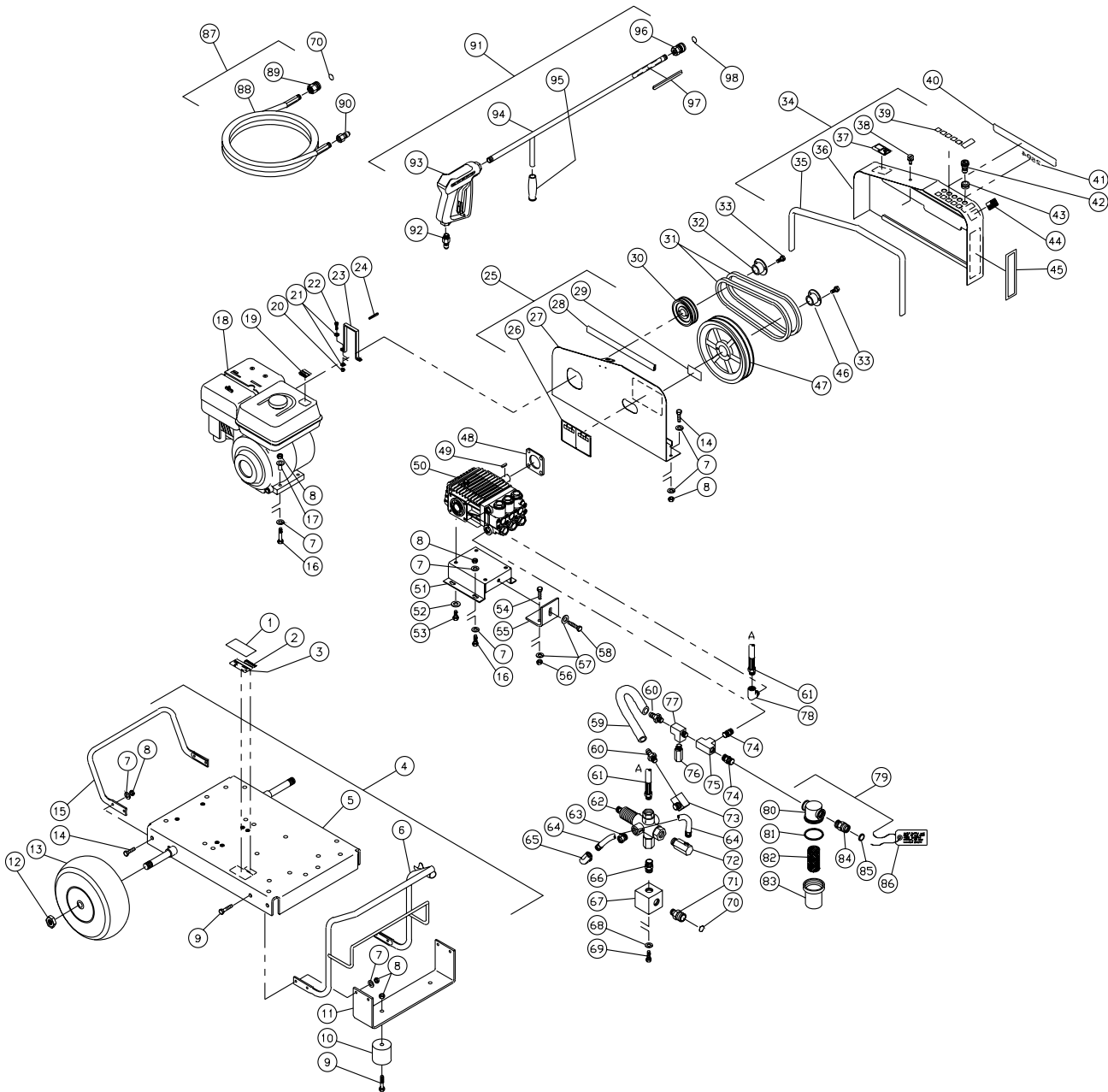
MODEL NUMBER	CW-2504-4UH0	CW-2505-4UGH
Operating Pressure (PSI/Bar):	2500/172.4	
High Pressure Nozzle:	4.5	5.5
Water Volume (GPM/lpm):	3.6/13.6	4.4/16.6
Engine:	Honda	
Horsepower	9.0	11.0
Engine Type	4 Stroke, Overhead Valve, Single Cylinder	
Oil Type	SAE10W-30	
Oil Capacity (oz./liter)	37.2/1.1	
Low Oil Protection	Oil Alert	
Fuel Type	Unleaded Gasoline 86 Octane Minimum	
Fuel Capacity (gal./liter)	1.6/6.0	1.7/6.5
Starting	Recoil	
Maximum No Load RPM	3600 (+/- 100) RPM	
Pump:	Direct Driven, Oil Bath, Triplex Piston	Belt Driven, Oil Bath, Triplex Piston
Oil Type	Mi-T-M Pump Oil #AW-4085-0016	
Oil Capacity (oz./liters)	14.0/41	40.6/1.2
Plungers	Ceramic Coated	
Manifold	Forged Brass	
Valves	Stainless Steel	
Unloader	Preset	
Heat Dump Valve	Relieves heated water during unloader bypass stage	
Unit Net Weight (lbs/Kg)	172.5/78	215/97.5
Unit Shipping Weight (lbs/Kg)	252.5/114.5	289/131
Unit Net Dimension (cm)	41Lx26.5Wx26.5H/104Lx67Wx67H	45.5Lx28Wx26.5H/115.5Lx71Wx67H
Unit Shipping Dimension (cm)	48.5Lx30.5Wx35.5H/123Lx77.5Wx90H	

SPECIFICATIONS FOR CW-3004-4UGH AND CW-3504-4UGH

CW-3004-4UGH/3504-4UGH

MODEL NUMBER	CW-3004-4UGH	CW-3504-4UGH
Operating Pressure (PSI/Bar):	3000/206.8	3500/241.3
High Pressure Nozzle:	4.0	
Water Volume (GPM/lpm):	3.5/13.2	3.8/14.4
Engine:	Honda	
Horsepower	11.0	13.0
Engine Type	4 Stroke, Overhead Valve, Single Cylinder	
Oil Type	SAE10W-30	
Oil Capacity (oz./liter)	37.2/1.1	
Low Oil Protection	Oil Alert	
Fuel Type	Unleaded Gasoline 86 Octane Minimum	
Fuel Capacity (gal./liter)	1.7/6.5	1.7/6.5
Starting	Recoil	
Maximum No Load RPM	3600 (+/- 100) RPM	
Pump:	Belt Driven, Oil Bath, Triplex Piston	
Oil Type	Mi-T-M Pump Oil #AW-4085-0016	
Oil Capacity (oz./liters)	40.6/1.2	
Plungers	Ceramic Coated	
Manifold	Forged Brass	
Valves	Stainless Steel	
Unloader	Preset	
Heat Dump Valve	Relieves heated water during unloader bypass stage	
Unit Net Weight (lbs/Kg)	213.5/97	215/97.5
Unit Shipping Weight (lbs/Kg)	283.5/128.5	291/132
Unit Net Dimension (cm)	46Lx28Wx30H/116.5Lx71Wx76H	
Unit Shipping Dimension (cm)	48.5Lx30.5Wx35.5H/123Lx77.5Wx90H	

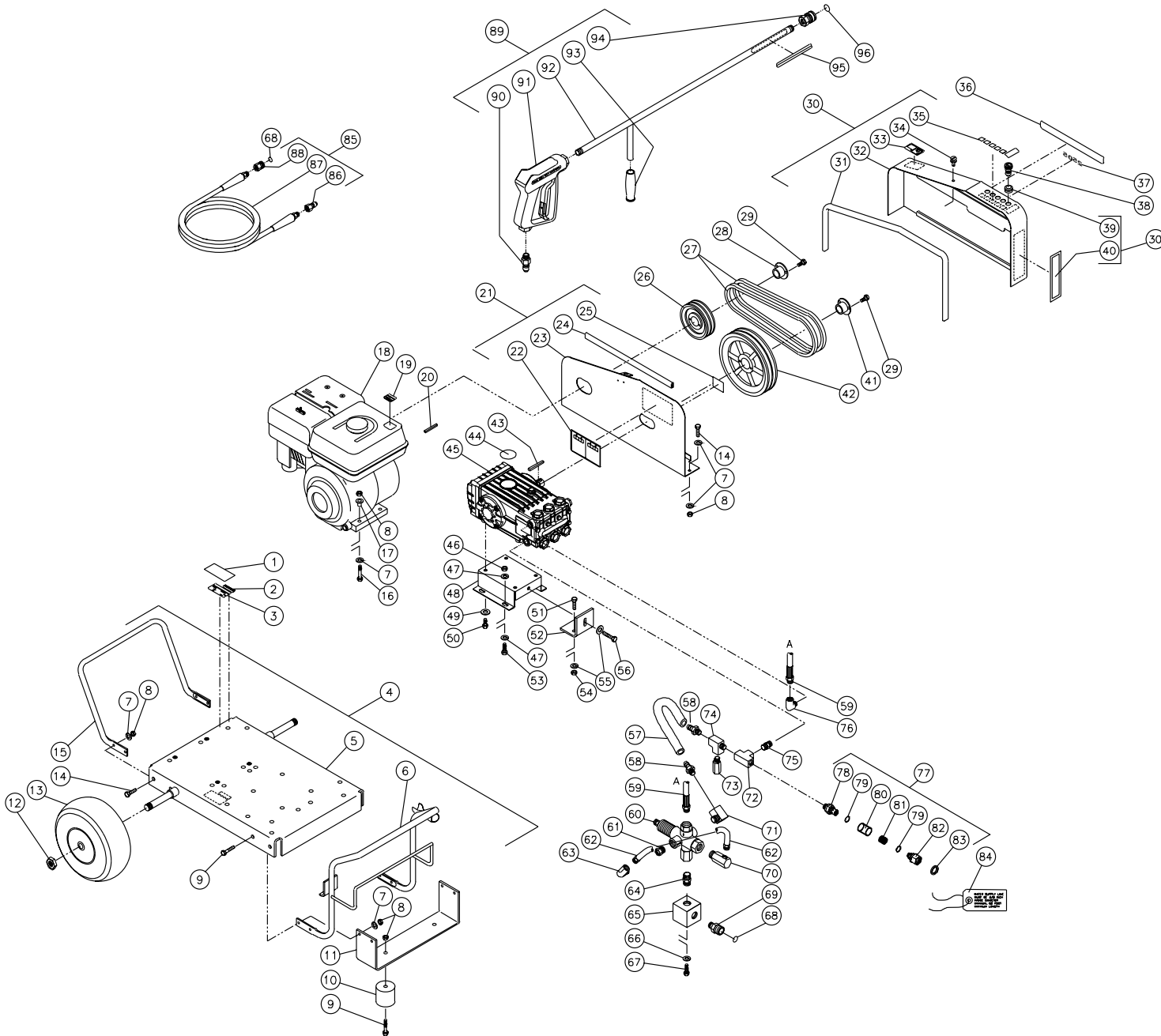
FRAME ASSEMBLY FOR CW-2504-4UH0



FRAME ASSEMBLY FOR CW-2504-4UH0											
REF #	DESCRIPTION	PART #	QTY	REF #	DESCRIPTION	PART #	QTY	REF #	DESCRIPTION	PART #	QTY
1	Decal- Clear Laminate	N/A	1	35	Edging *(Three Feet Required)	33-0020	1	66	Hex Nipple	24-0031	1
2	Decal- Serial Number	N/A	1	36	Beltguard Cover (See 851-0217)	N/A Sep.	1	67	Manifold Block	51-0012	1
3	Decal- Data Plate	N/A	1	37	Decal- Warning: Muffler Hot	34-0130	1	68	Washer	29-0008	2
4	Base Plate Assembly (Inc. 5-15)	851-0209	1	38	Fastener	33-0197	1	69	Bolt	27-0116	2
5	Base Plate	5-0090A01	1	39	Decal- Nozzles Die Cut	34-0500	1	70	O-Ring (Replacement Only)	25-0123	-
6	Handle-Front	7-0101A01	1	40	Decal- Stripe	34-0928	1	71	Quick Connect Socket	17-0029	1
7	Washer	28-0003	28	41	Decal- Die Cut 2504	34-0512	1	72	Easy Start Valve	22-0146	1
8	Locknut	30-0157	22	42	Spray Nozzle - 0004.5	18-0033	1	73	Elbow	23-0035	1
9	Bolt	27-0068	6	-	Spray Nozzle - 1504.5	18-0039	1	74	Hex Nipple	23-0012	2
10	Isolator	14-0008	2	-	Spray Nozzle - 2504.5	18-0060	1	75	Tee	23-0043	1
11	Underbracket	13-0042A01	1	-	Spray Nozzle - 4004.5	18-0065	1	76	Heat Dump Valve	22-0005	1
12	Jamnut	30-0117	2	43	Grommet	33-0001	5	77	Street Tee	23-0124	1
13	Wheel	14-0006	2	44	Decal- American Flag	34-0521	1	78	Elbow	24-0105	1
14	Bolt	27-0067	12	45	Decal- Operating Instructions	34-0499	1	79	Strainer (Inc. 80-85)	19-0057	1
15	Handle-Rear	7-0104A01	1	46	Bushing	9-0017	1	80	Strainer Cap	19-0058	1
16	Bolt	27-0070	4	47	Sheave	10-0035	1	81	Strainer Gasket	26-0160	1
17	Engine Shim	33-0169	4	48	Isolator	33-0201	1	82	Strainer Steel Screen	19-0059	1
18	Engine- 9.0 HP Honda	1-0065	1	49	Key w/Pump	46-0601	1	83	Strainer Bowl	19-0060	1
19	Decal- Caution: Allow to Cool	34-0588	1	50	Pump	3-0121	1	84	Garden Hose Swivel	23-0095	1
20	Locknut	30-0155	2	51	Pump Bracket	5-0097A01	1	85	Garden Hose Gasket	26-0001	1
21	Washer	28-0002	4	52	Washer w/Pump	29-0054	4	86	Tag: Water Supply Inlet	34-0097	1
22	Bolt	27-0015	2	53	Bolt w/Pump	27-8042	4	87	Pressure Hose Assembly (Inc. 88-90)	851-0007	1
23	Finger Guard	6-0054A01	1	54	Bolt	27-0118	2	88	Pressure Hose	15-0003	1
24	Key	43-0078	1	55	Brace Tightener	13-0005A01	1	89	Quick Connect Socket	17-0004	1
25	Beltguard Back Assembly (Inc. 26-29)	851-0213	1	56	Locknut	30-0159	2	90	Quick Connect Plug	17-0006	1
26	Decal-Caution/Warning Statements	34-0498	1	57	Washer	28-0023	3	91	Gun/Lance Assembly (Inc. 92-95)	851-0095	1
27	Beltguard Back (See 851-0213)	N/A Sep.	1	58	Bolt	27-0576	1	92	Quick Connect Plug	17-0005	1
28	Edging *(Two Feet Required)	33-0020	1	59	By-pass Hose	15-0022	1	93	Gun	16-0001	1
29	Decal- Warning: Beltguard in Place	34-0575	1	60	Hose Barb	23-0005	2	94	Wand w/ 36" Handle	16-0120A01	1
30	Sheave	10-0029	1	61	Hose	15-0024	1	95	Grip Handle	7-0002	1
31	Belt	11-0023	2	62	Unloader	8-0270	1	96	Quick Connect Socket	17-0001	1
32	Bushing	9-0005	1	63	Hex Reducer	23-0056	1	97	Decal- Warning: Risk of Injection	34-0572	1
33	Bolt w/Bushing	27-0015	4	64	Hose	15-0140	1	98	O-ring (Replacement Only)	25-0122	-
34	Beltguard Cover Assembly (Inc. 35-39, 43, 45)	851-0217	1	65	Elbow	23-0237	1				

*Must Order in One Foot Lengths

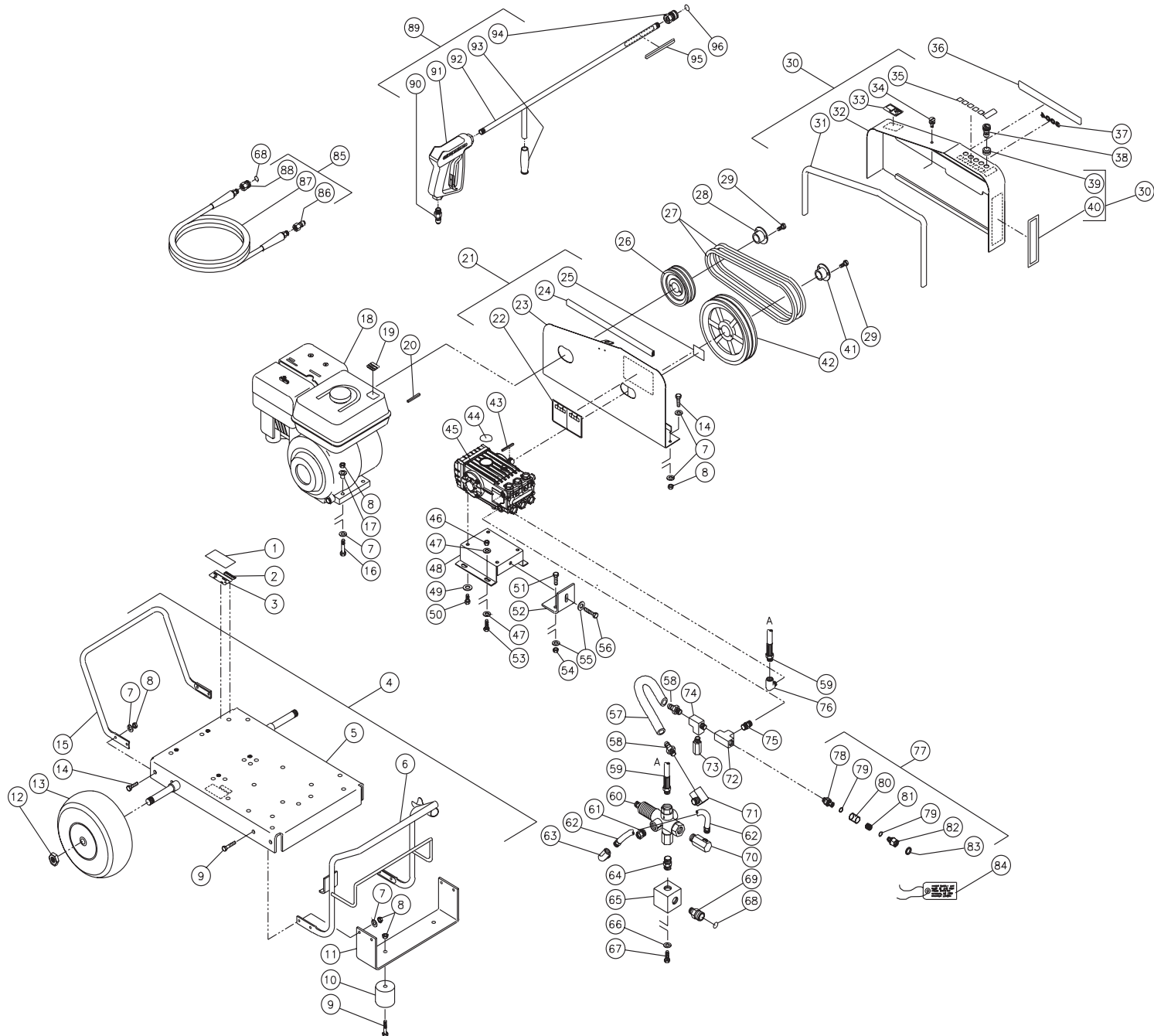
FRAME ASSEMBLY FOR CW-2505-4UGH



CW-2505-4UGH-032601-RD

FRAME ASSEMBLY FOR CW-2505-4UGH											
REF #	DESCRIPTION	PART #	QTY	REF #	DESCRIPTION	PART #	QTY	REF #	DESCRIPTION	PART #	QTY
1	Decal- Clear Laminate	N/A	1	35	Decal- Nozzles Die Cut	34-0500	1	66	Washer	29-0008	2
2	Decal- Serial Number	N/A	1	36	Decal- Stripe	34-0927	1	67	Bolt	27-0116	2
3	Decal- Data Plate	N/A	1	37	Decal- Die Cut 2505	34-0416	1	68	O-Ring (Replacement Only)	25-0123	-
4	Base Plate Assembly (Inc. 5-15)	851-0210	1	38	Spray Nozzle - 0005.5	18-0035	1	69	Quick Connect Socket	17-0029	1
5	Base Plate	5-0078A01	1	-	Spray Nozzle - 1505.5	18-0041	1	70	Easy Start Valve	22-0146	1
6	Handle-Front	7-0101A01	1	-	Spray Nozzle - 2505.5	18-0062	1	71	Elbow	23-0035	1
7	Washer	28-0003	20	-	Spray Nozzle - 4005.5	18-0132	1	72	Tee	23-0043	1
8	Locknut	30-0157	18	39	Grommet	33-0001	5	73	Heat Dump Valve	22-0005	1
9	Bolt	27-0068	6	40	Decal- Operating Instructions	34-0499	1	74	Street Tee	23-0124	1
10	Isolator	14-0008	2	41	Bushing	9-0017	1	75	Hex Nipple	23-0012	1
11	Underbracket	13-0042A01	1	42	Sheave	10-0040	1	76	Elbow	24-0105	1
12	Jam Nut	30-0117	2	43	Key w/Pump	43-0028	1	77	Filter Assembly (Inc. 78-83)	19-0206	1
13	Wheel	14-0006	2	44	Decal- Pump I.D.	34-1036	1	78	Filter Outlet-NPT (See 19-0206)	N/A Sep.	1
14	Bolt	27-0067	8	45	Pump	3-0202	1	79	O-Ring	25-0517	2
15	Handle-Rear	7-0104A01	1	46	Locknut	30-0161	4	80	Sight Glass	19-0208	1
16	Bolt	27-0070	4	47	Washer	28-0030	8	81	Screen	19-0209	1
17	Engine Shim	33-0169	4	48	Pump Bracket	5-0101A01	1	82	Filter Inlet-Garden Hose (See 19-0206)	N/A Sep.	1
18	Engine- 11.0 HP Honda	1-0039	1	49	Washer w/Pump	29-0055	4	83	Garden Hose Gasket	26-0001	1
19	Decal- Caution: Allow to Cool	34-0588	1	50	Bolt w/Pump	27-8471	4	84	Tag: Water Supply Inlet	34-0097	1
20	Key	43-0078	1	51	Bolt	27-0118	2	85	Pressure Hose Assembly (Inc. 86-88)	851-0007	1
21	Beltguard Back Assembly (Inc. 22-25)	851-0215	1	52	Brace Tightener	13-0003A01	1	86	Quick Connect Plug	17-0006	1
22	Decal-Caution/Warning Statements	34-0498	1	53	Bolt	27-0166	4	87	Pressure Hose	15-0003	1
23	Beltguard Back (See 851-0215)	N/A Sep.	1	54	Locknut	30-0159	2	88	Quick Connect Socket	17-0004	1
24	Edging *(Two Feet Required)	33-0020	1	55	Washer	28-0023	3	89	Gun/Lance Assembly (Inc. 90-94)	851-0095	1
25	Decal- Warning: Beltguard in Place	34-0575	1	56	Bolt	27-0576	1	90	Quick Connect Plug	17-0005	1
26	Sheave	10-0067	1	57	By-pass Hose	15-0022	1	91	Gun	16-0001	1
27	Belt	11-0011	2	58	Hose Barb	23-0005	2	92	Wand w/ 36" Handle	16-0120A01	1
28	Bushing	9-0005	1	59	Hose	15-0024	1	93	Grip Handle	7-0002	1
29	Bolt w/Bushing	27-0015	4	60	Unloader	8-0270	1	94	Quick Connect Socket	17-0001	1
30	Beltguard Cover Assembly (Inc. 31-35, 39-41)	851-0218	1	61	Hex Reducer	23-0056	1	95	Decal- Warning: Risk of Injection	34-0572	1
31	Edging *(Four Feet Required)	33-0020	1	62	Hose	15-0140	1	96	O-ring (Replacement Only)	25-0122	-
32	Beltguard Cover (See 851-0218)	N/A Sep.	1	63	Elbow	23-0237	1	*Must Order in One Foot Lengths			
33	Decal- Warning: Muffler Hot	34-0130	1	64	Hex Nipple	24-0031	1				
34	Fastener	33-0197	1	65	Manifold Block	51-0012	1				

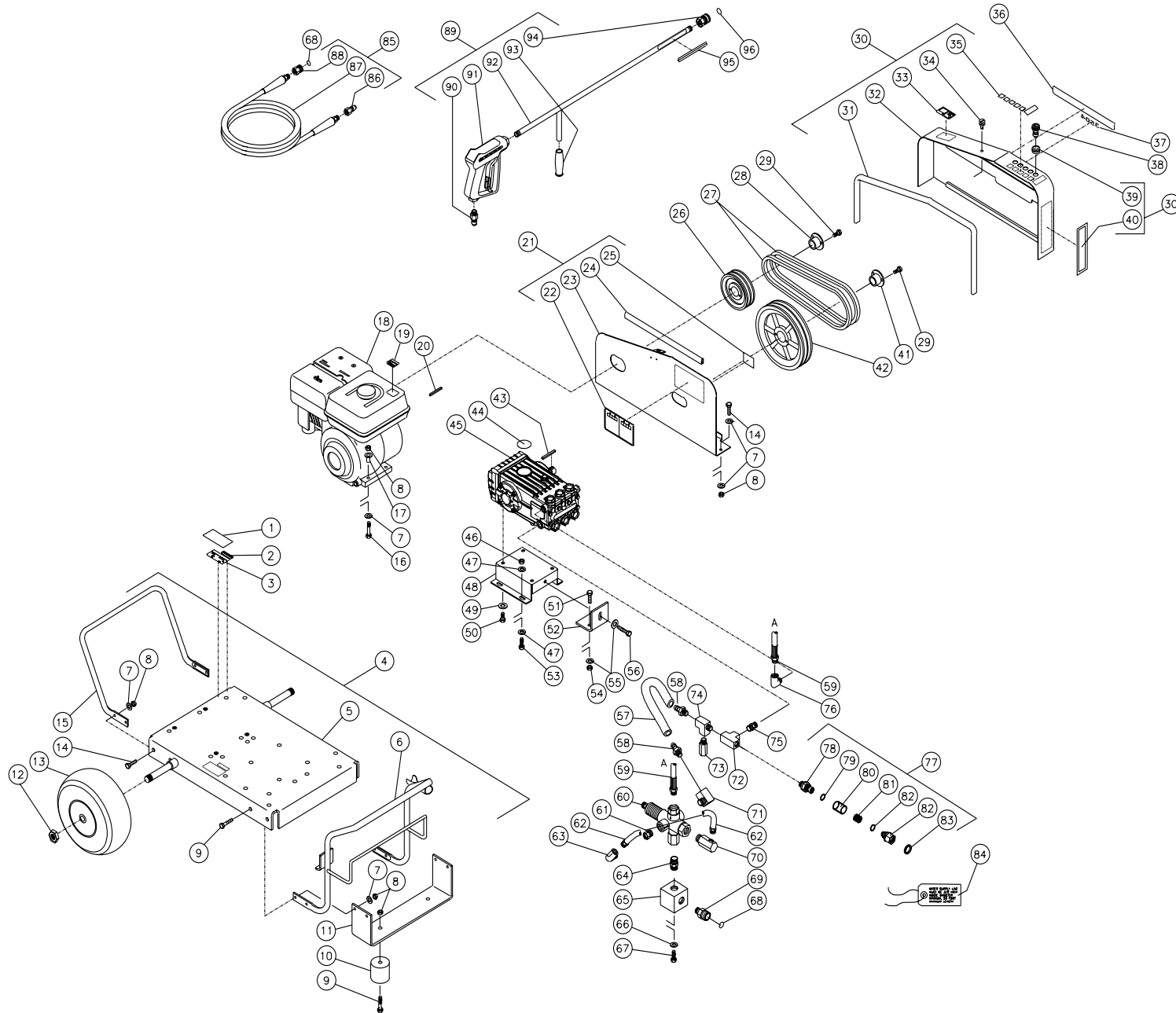
FRAME ASSEMBLY FOR CW-3004-4UGH



CW-3004-4UGH-032601-RD

FRAME ASSEMBLY FOR CW-3004-4UGH											
REF #	DESCRIPTION	PART #	QTY	REF #	DESCRIPTION	PART #	QTY	REF #	DESCRIPTION	PART #	QTY
1	Decal- Clear Laminate	N/A	1	35	Decal- Nozzles Die Cut	34-0500	1	66	Washer	29-0008	2
2	Decal- Serial Number	N/A	1	36	Decal- Stripe	34-0927	1	67	Bolt	27-0116	2
3	Decal- Data Plate	N/A	1	37	Decal- Die Cut 3004	34-0105	1	68	O-Ring (Replacement Only)	25-0123	-
4	Base Plate Assembly (Inc. 5-15)	851-0210	1	38	Spray Nozzle - 0004	18-0028	1	69	Quick Connect Socket	17-0029	1
5	Base Plate	5-0078A01	1	-	Spray Nozzle - 1504	18-0029	1	70	Easy Start Valve	22-0146	1
6	Handle-Front	7-0101A01	1	-	Spray Nozzle - 2504	18-0030	1	71	Elbow	23-0035	1
7	Washer	28-0003	20	-	Spray Nozzle - 4004	18-0031	1	72	Tee	23-0043	1
8	Locknut	30-0157	18	39	Grommet	33-0001	5	73	Heat Dump Valve	22-0005	1
9	Bolt	27-0068	6	40	Decal- Operating Instructions	34-0499	1	74	Street Tee	23-0124	1
10	Isolator	14-0008	2	41	Bushing	9-0017	1	75	Hex Nipple	23-0012	2
11	Underbracket	13-0042A01	1	42	Sheave	10-0040	1	76	Elbow	24-0105	1
12	Jam Nut	30-0117	2	43	Key w/Pump	43-0048	1	77	Filter Assembly (Inc. 78-83)	19-0206	1
13	Wheel	14-0006	2	44	Decal- Pump I.D.	34-1036	1	78	Filter Outlet-NPT(See 19-0206)	N/A Sep.	1
14	Bolt	27-0067	8	45	Pump	3-0202	1	79	O-Ring	25-0517	1
15	Handle-Rear	7-0104A01	1	46	Locknut	30-0161	4	80	Sight Glass	19-0208	1
16	Bolt	27-0070	4	47	Washer	28-0030	8	81	Screen Strainer	19-0209	1
17	Engine Shim	33-0169	4	48	Pump Bracket	5-0101A01	1	82	Filter Inlet-Garden Hose (See 19-0206)	N/A Sep.	1
18	Engine- 11.0 HP Honda	1-0039	1	49	Washer w/Pump	29-0055	4	83	Garden Hose Gasket	26-0001	1
19	Decal- Caution: Allow to Cool	34-0588	1	50	Bolt w/Pump	27-8471	4	84	Tag: Water Supply Inlet	34-0097	1
20	Key	43-0078	1	51	Bolt	27-0118	2	85	Pressure Hose Assembly (Inc. 86-88)	851-0007	1
21	Beltguard Back Assembly (Inc. 22-25)	851-0215	1	52	Brace Tightener	13-0003A01	1	86	Quick Connect Plug	17-0006	1
22	Decal-Caution/Warning Statements	34-0498	1	53	Bolt	27-0166	4	87	Pressure Hose	15-0003	1
23	Beltguard Back (See 851-0215)	N/A Sep.	1	54	Locknut	30-0159	2	88	Quick Connect Socket	17-0004	1
24	Edging *(Two Feet Required)	33-0020	1	55	Washer	28-0023	3	89	Gun/Lance Assembly (Inc. 90-94)	851-0095	1
25	Decal- Warning: Beltguard in Place	34-0575	1	56	Bolt	27-0576	1	90	Quick Connect Plug	17-0005	1
26	Sheave	10-0029	1	57	By-pass Hose	15-0022	1	91	Gun	16-0001	1
27	Belt	11-0036	2	58	Hose Barb	23-0005	2	92	Wand w/ 36" Handle	16-0120A01	1
28	Bushing	9-0005	1	59	Hose	15-0024	1	93	Grip Handle	7-0002	1
29	Bolt w/Bushing	27-0015	4	60	Unloader	8-0270	1	94	Quick Connect Socket	17-0001	1
30	Beltguard Cover Assembly (Inc. 31-35, 39-41)	851-0218	1	61	Hex Reducer	23-0056	1	95	Decal- Warning: Risk of Injection	34-0572	1
31	Edging *(Four Feet Required)	33-0020	1	62	Hose	15-0140	1	96	O-ring (Replacement Only)	25-0122	-
32	Beltguard Cover (See 851-0218)	N/A Sep.	1	63	Elbow	23-0237	1	*Must Order in One Foot Lengths			
33	Decal- Warning: Muffler Hot	34-0130	1	64	Hex Nipple	24-0031	1				
34	Fastener	33-0197	1	65	Manifold Block	51-0012	1				

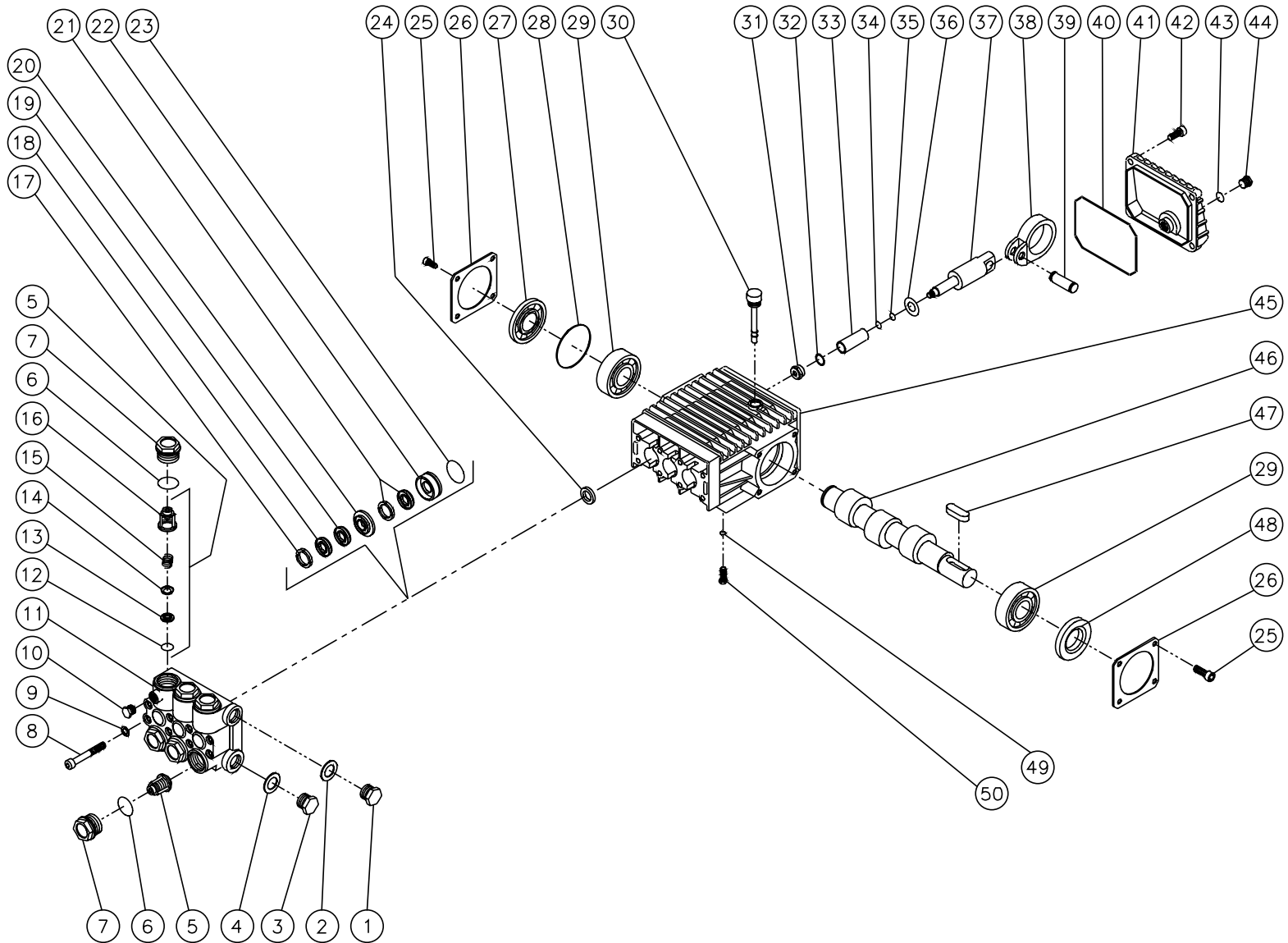
FRAME ASSEMBLY FOR CW-3504-4UGH



CW-3504-4UGH-010301-EDW

FRAME ASSEMBLY FOR CW-3504-4UGH											
REF #	DESCRIPTION	PART #	QTY	REF #	DESCRIPTION	PART #	QTY	REF #	DESCRIPTION	PART #	QTY
1	Decal- Clear Laminate	N/A	1	35	Decal- Nozzles Die Cut	34-0500	1	66	Washer	29-0008	2
2	Decal- Serial Number	N/A	1	36	Decal- Stripe	34-0927	1	67	Bolt	27-0116	2
3	Decal- Data Plate	N/A	1	37	Decal- Die Cut 3504	34-0034	1	68	O-Ring (Replacement Only)	25-0123	-
4	Base Plate Assembly (Inc. 5-15)	851-0210	1	38	Spray Nozzle - 0004	18-0028	1	69	Quick Connect Socket	17-0029	1
5	Base Plate	5-0078A01	1	-	Spray Nozzle - 1504	18-0029	1	70	Easy Start Valve	22-0146	1
6	Handle-Front	7-0101A01	1	-	Spray Nozzle - 2504	18-0030	1	71	Elbow	23-0035	1
7	Washer	28-0003	24	-	Spray Nozzle - 4004	18-0031	1	72	Tee	23-0043	1
8	Locknut	30-0157	18	39	Grommet	33-0001	5	73	Heat Dump Valve	22-0005	1
9	Bolt	27-0068	6	40	Decal- Operating Instructions	34-0499	1	74	Street Tee	23-0124	1
10	Isolator	14-0008	2	41	Bushing	9-0017	1	75	Hex Nipple	23-0012	2
11	Underbracket	13-0042A01	1	42	Sheave	10-0040	1	76	Elbow	24-0105	1
12	Jamnut	30-0117	2	43	Key w/Pump	43-0048	1	77	Filter Assembly (Inc. 78-83)	19-0206	1
13	Wheel	14-0006	2	44	Decal- Pump I.D.	34-1037	1	78	Filter Outlet-NPT (See 19-0206)	N/A Sep.	1
14	Bolt	27-0067	8	45	Pump	3-0203	1	79	O-Ring	25-0517	1
15	Handle-Rear	7-0104A01	1	46	Locknut	30-0161	4	80	Sight Glass	19-0208	1
16	Bolt	27-0070	4	47	Washer	28-0030	8	81	Screen Strainer	19-0209	1
17	Engine Shim	33-0169	4	48	Pump Bracket	5-0101A01	1	82	Filter Inlet-Garden Hose (See 19-0206)	N/A Sep.	1
18	Engine- 13.0 HP Honda	1-0086	1	49	Washer w/Pump	29-0055	4	83	Garden Hose Gasket	26-0001	1
19	Decal- Caution: Allow to Cool	34-0588	1	50	Bolt w/Pump	27-8471	4	84	Tag: Water Supply Inlet	34-0097	1
20	Key	43-0078	1	51	Bolt	27-0118	2	85	Pressure Hose Assembly (Inc. 86-88)	851-0006	1
21	Beltguard Back Assembly (Inc. 22-25)	851-0215	1	52	Brace Tightener	13-0003A01	1	86	Pressure Hose	15-0004	1
22	Decal-Caution/Warning Statements	34-0498	1	53	Bolt	27-0166	4	87	Quick Connect Socket	17-0004	1
23	Beltguard Back (See 851-0215)	N/A Sep.	1	54	Locknut	30-0159	2	88	Quick Connect Plug	17-0006	1
24	Edging *(Two Feet Required)	33-0020	1	55	Washer	28-0023	3	89	Gun/Lance Assembly (Inc. 90-94)	851-0095	1
25	Decal- Warning: Beltguard in Place	34-0575	1	56	Bolt	27-0576	1	90	Quick Connect Plug	17-0005	1
26	Sheave	10-0030	1	57	By-pass Hose	15-0022	1	91	Gun	16-0001	1
27	Belt	11-0035	2	58	Hose Barb	23-0005	2	92	Wand w/ 36" Handle	16-0120A01	1
28	Bushing	9-0005	1	59	Hose	15-0024	1	93	Grip Handle	7-0002	1
29	Bolt w/Bushing	27-0015	4	60	Unloader	8-0270	1	94	Quick Connect Socket	17-0001	1
30	Beltguard Cover Assembly (Inc. 31-35, 39-41)	851-0218	1	61	Hex Reducer	23-0056	1	95	Decal- Warning: Risk of Injection	34-0572	1
31	Edging *(Four Feet Required)	33-0020	1	62	Hose	15-0140	1	96	O-ring (Replacement Only)	25-0122	-
32	Beltguard Cover (See 851-0218)	N/A Sep.	1	63	Elbow	23-0237	1	*Must Order in One Foot Lengths			
33	Decal- Warning: Muffler Hot	34-0130	1	64	Hex Nipple	24-0031	1				
34	Fastener	33-0197	1	65	Manifold Block	51-0012	1				

PUMP ASSEMBLY (3-0121) FOR CW-2504-4UH0

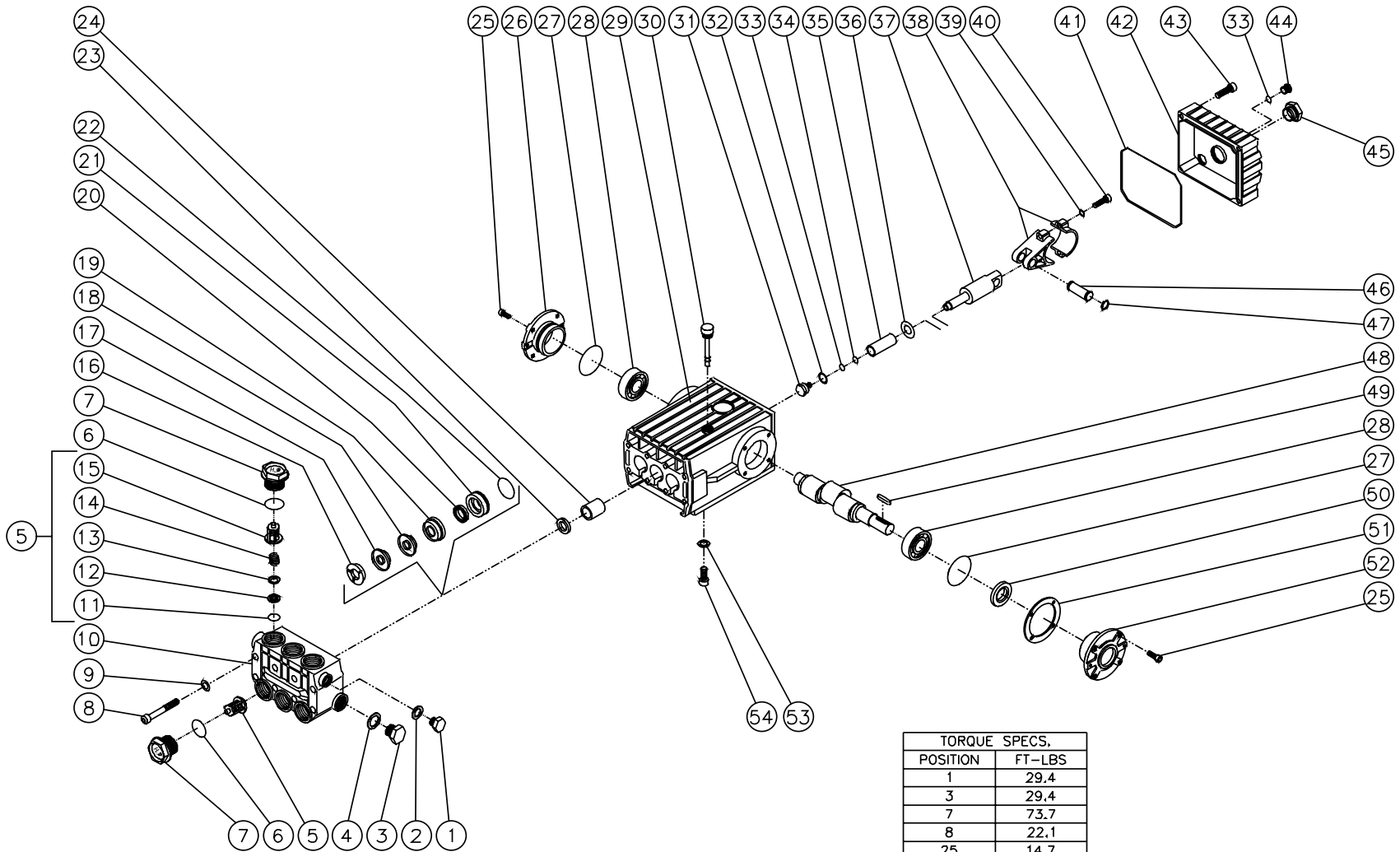


3-0121-042600-RD

PUMP ASSEMBLY (3-0121) FOR CW-2504-4UH0

REF. #	DESCRIPTION	PART #	QTY.	REF. #	DESCRIPTION	PART #	QTY.	REF. #	DESCRIPTION	PART #	QTY.
1	Bolt	39-0018	1	21	Low Pressure Seal (See 852-0114)	N/A Sep.	3	41	Crankcase Cover	46-0571	1
2	Washer	28-0600	1	22	Low Pressure Seal Retainer	46-0612	3	42	Bolt	27-8401	5
3	Plug	39-0019	1	23	O-ring	25-0048	3	43	O-ring	25-0014	1
4	Washer	28-0601	1	24	Oil Seal	26-0046	3	44	Plug	39-0017	1
5	Valve Assembly (Inc. 12-16) (See 70-0028)	N/A Sep.	6	25	Bolt	27-8000	4	45	Crankcase	46-0570	1
6	O-ring	25-0012	6	26	Retainer/Oil Level/Spacer	46-0084	1	46	Crankshaft	46-0601	1
7	Valve Plug	39-0071	6	27	Oil Level Indicator	46-0574	1	47	Key	46-0602	1
8	Bolt	27-8439	8	28	O-ring	25-0060	1	48	Oil Seal	46-0604	1
9	Lockwasher	29-0154	8	29	Ball Bearing	48-0050	1	49	Lockwasher	29-0054	4
10	Plug	39-0032	1	30	Oil Dip Stick	46-0143	1	50	Bolt	27-8042	4
11	Pump Manifold	46-0614	1	31	Nut	46-0168	3		Valve Kit (Inc. 6 each 5, 12-16)	70-0028	
12	O-ring (See 70-0028)	N/A Sep.	6	32	Washer	46-0166	3		Head Ring Kit (Inc. 3 each 17)	70-0026	
13	Valve Seat (See 70-0028)	N/A Sep.	6	33	Plunger	46-0603	3		Packing Kit (Inc. 3 each 18, 19, 21)	70-0025	
14	Valve Plate (See 70-0028)	N/A Sep.	6	34	O-ring	25-0045	3		Packing Assembly Kit (Inc. 3 each 17-19, 21)	852-0114	
15	Valve Spring (See 70-0028)	N/A Sep.	6	35	Back-up Ring	25-0143	3		Intermediate Retainer Kit (Inc. 3 each 20)	70-0122	
16	Valve Cage (See 70-0028)	N/A Sep.	6	36	Washer	28-1018	3		Retainer Kit (Inc. 3 each 22, 23)	70-0123	
17	High Pressure Head Ring (See 852-0114)	N/A Sep.	3	37	Piston Guide	46-0573	3		Packing Kit (Inc. 17-23)	70-0027	
18	High Pressure V-packing (See 852-0114)	N/A Sep.	3	38	Connecting Rod	46-0572	3		Pump- Short Block Kit (Inc. 24-48)	3-0135	
19	V-packing Support (See 852-0114)	N/A Sep.	3	39	Connecting Rod Pin	43-0079	3				
20	High Pressure Seal Retainer	46-0608	3	40	O-ring	25-0317	1				

PUMP ASSEMBLY (3-0202) FOR CW-2505-4UGH AND CW-3004-4UGH



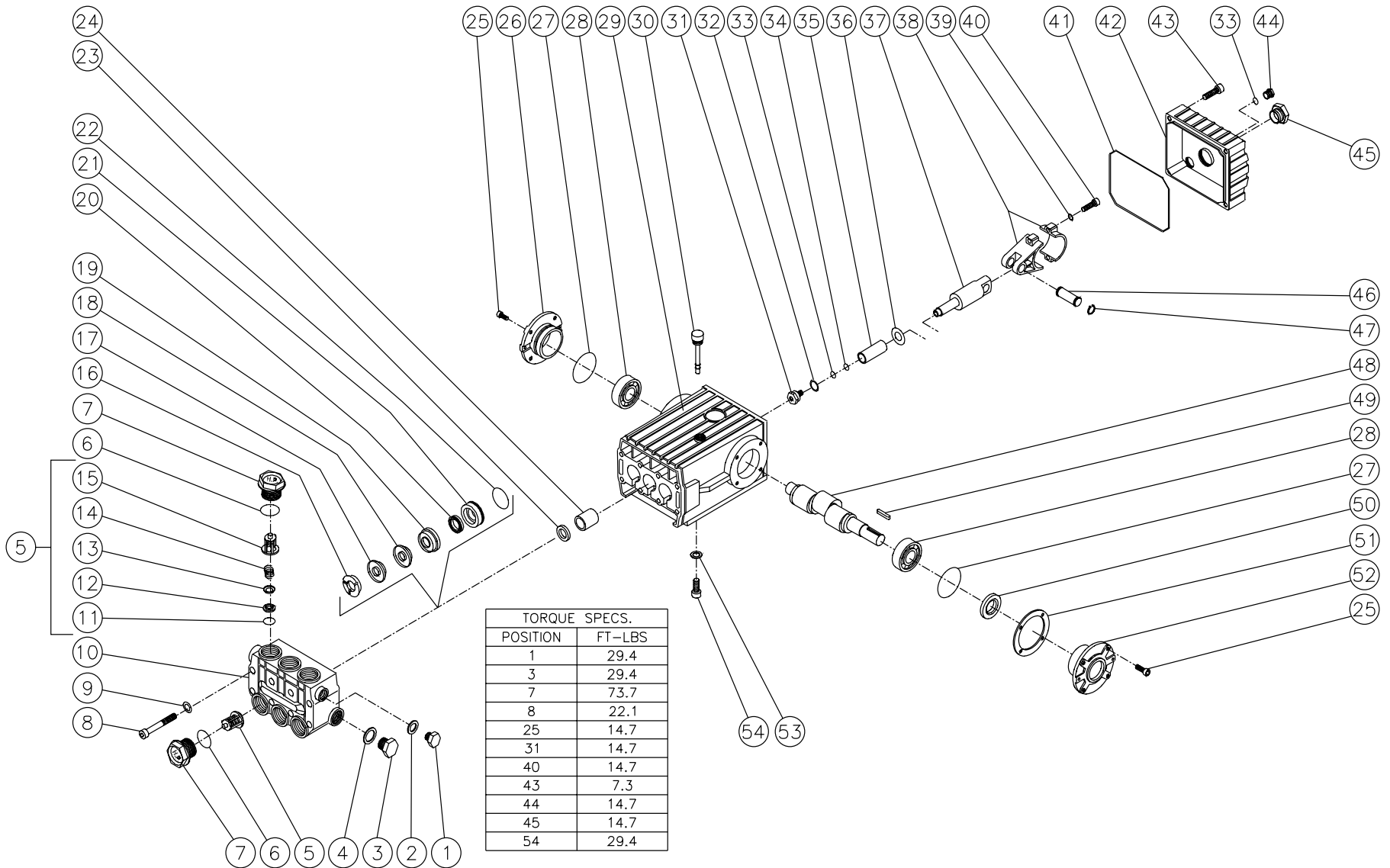
TORQUE SPECS.	
POSITION	FT-LBS
1	29.4
3	29.4
7	73.7
8	22.1
25	14.7
31	14.7
40	14.7
43	7.3
44	14.7
45	14.7
54	29.4

3-0202-122100-EDW

PUMP ASSEMBLY (3-0202) FOR CW-2505-4UGH AND CW-3004-4UGH

REF. #	DESCRIPTION	PART #	QTY.	REF. #	DESCRIPTION	PART #	QTY.	REF. #	DESCRIPTION	PART #	QTY.
1	Plug	39-0018	1	21	Low Pressure Seal Retainer	46-0887	3	41	O-ring Cover	25-0339	1
2	Washer	28-1002	1	22	O-ring	25-0015	3	42	Crankcase Cover	46-0295	1
3	Plug	39-0019	1	23	Oil Seal	26-0047	3	43	Bolt	27-8404	5
4	Washer	28-1038	1	24	Bushing	9-0029	3	44	Plug	39-0017	1
5	Valve Assembly (Inc. 11-15) (See 70-0009)	N/A Sep.	6	25	Bolt	27-8431	8	45	Oil Level Indicator	46-0114	1
6	O-ring	25-0012	6	26	Crankcase Cover	46-0336	1	46	Connecting Rod Pin	43-0032	3
7	Valve Plug	46-0889	6	27	O-ring	25-0013	2	47	Retaining Ring	46-0103	6
8	Bolt	27-8185	8	28	Bearing	48-0012	2	48	Crankshaft	46-0050	1
9	Flatwasher	28-1039	8	29	Crankcase	46-0292	1	49	Key	43-0048	1
10	Manifold	46-0490	1	30	Oil Dip Stick	46-0144	1	50	Oil Seal	26-0049	1
11	O-ring (See 70-0009)	N/A Sep.	6	31	Bolt	46-0069	3	51	Shim	46-0113	1
12	Valve Seat (See 70-0009)	N/A Sep.	6	32	Gasket	28-0400	3	52	Crankcase Open Cover	46-0296	1
13	Valve Plate (See 70-0009)	N/A Sep.	6	33	O-ring	25-0014	4	53	Lockwasher	29-0055	4
14	Valve Spring (See 70-0009)	N/A Sep.	6	34	Back-up Ring	46-0109	3	54	Bolt	27-8471	4
15	Valve Cage (See 70-0009)	N/A Sep.	6	35	Plunger	46-0052	3		Valve Assembly (6 each 5, 11-15)	70-0009	
16	High Pressure Head Ring (See 70-0030)	N/A Sep.	3	36	Washer	46-0146	3		Head Ring Kit (3 each 16)	70-0030	
17	High Pressure V-Packing(See 70-0299)	N/A Sep.	3	37	Piston Rod	46-0056	3		V-Packing Kit (3 each 17, 18, 20)	70-0299	
18	V-Packing Support (See 70-0299)	N/A Sep.	3	38	Connecting Rod	46-0051	3		Intermediate Retainer Kit (3 each 18, 19)	70-0148	
19	High Pressure Intermediate Seal Retainer	46-0659	3	39	Lockwasher	29-0154	6		Low Pressure Seal Kit (3 each 20-22)	70-0298	
20	Low Pressure Seal	46-0886	3	40	Bolt	27-8435	6		V-Packing Assembly (3 each 16-20, 22)	70-0300	

PUMP ASSEMBLY (3-0203) FOR CW-3504-4UGH

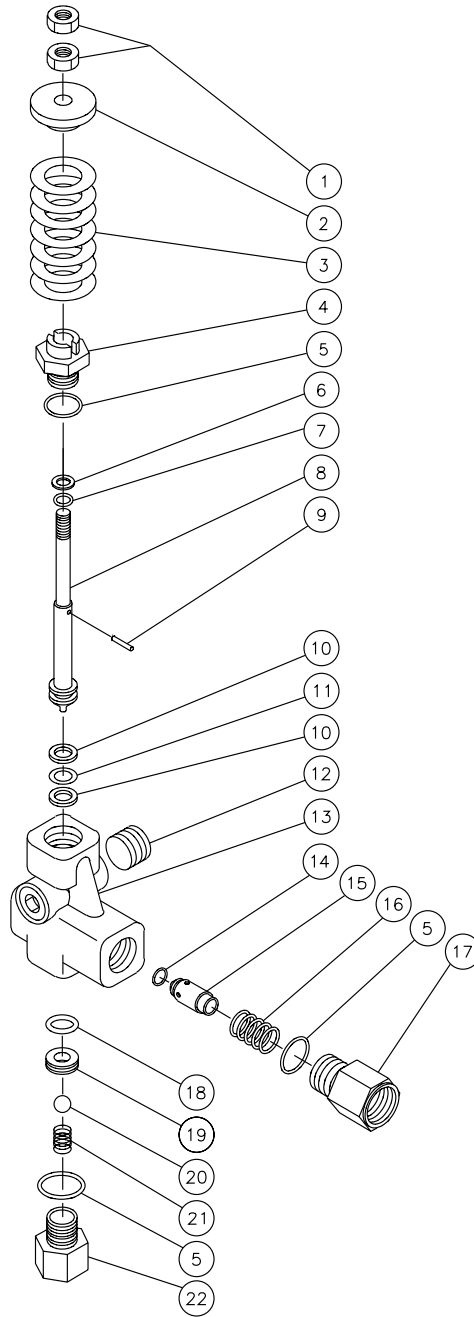


3-0203-122100-EDW

PUMP ASSEMBLY (3-0203) FOR CW-3504-4UGH

REF. #	DESCRIPTION	PART #	QTY.	REF. #	DESCRIPTION	PART #	QTY.	REF. #	DESCRIPTION	PART #	QTY.
1	Plug	39-0018	1	21	Low Pressure Seal Retainer	46-0887	3	41	O-ring Cover	25-0339	1
2	Washer	28-1002	1	22	O-ring	25-0015	3	42	Crankcase Cover	46-0295	1
3	Plug	39-0019	1	23	Oil Seal	26-0047	3	43	Bolt	27-8404	5
4	Washer	28-1038	1	24	Bushing	9-0029	3	44	Plug	39-0017	1
5	Valve Assembly (Inc. 11-15) (See 70-0009)	N/A Sep.	6	25	Bolt	27-8431	8	45	Oil Level Indicator	46-0114	1
6	O-ring	25-0012	6	26	Crankcase Cover	46-0336	1	46	Connecting Rod Pin	43-0032	3
7	Valve Plug	46-0889	6	27	O-ring	25-0013	2	47	Retaining Ring	46-0103	6
8	Bolt	27-8185	8	28	Bearing	48-0012	2	48	Crankshaft	46-0888	1
9	Flatwasher	28-1039	8	29	Crankcase	46-0292	1	49	Key	43-0048	1
10	Manifold	46-0490	1	30	Oil Dip Stick	46-0144	1	50	Oil Seal	26-0049	1
11	O-ring (See 70-0009)	N/A Sep.	6	31	Bolt	46-0069	3	51	Shim	46-0113	1
12	Valve Seat (See 70-0009)	N/A Sep.	6	32	Gasket	28-0400	3	52	Crankcase Open Cover	46-0296	1
13	Valve Plate (See 70-0009)	N/A Sep.	6	33	O-ring	25-0014	4	53	Lockwasher	29-0055	4
14	Valve Spring (See 70-0009)	N/A Sep.	6	34	Back-up Ring	46-0109	3	54	Bolt	27-8471	4
15	Valve Cage (See 70-0009)	N/A Sep.	6	35	Plunger	46-0052	3		Valve Assembly (6 each 5, 11-15)	70-0009	
16	High Pressure Head Ring (See 70-0030)	N/A Sep.	3	36	Washer	46-0146	3		Head Ring Kit (3 each 16)	70-0030	
17	High Pressure V-Packing(See 70-0299)	N/A Sep.	3	37	Piston Rod	46-0056	3		V-Packing Kit (3 each 17, 18, 20)	70-0299	
18	V-Packing Support (See 70-0299)	N/A Sep.	3	38	Connecting Rod	46-0051	3		Intermediate Retainer Kit (3 each 18, 19)	70-0148	
19	High Pressure Intermediate Seal Retainer	46-0659	3	39	Lockwasher	29-0154	6		Low Pressure Seal Kit (3 each 20-22)	70-0298	
20	Low Pressure Seal	46-0886	3	40	Bolt	27-8435	6		V-Packing Assembly (3 each 16-20, 22)	70-0300	

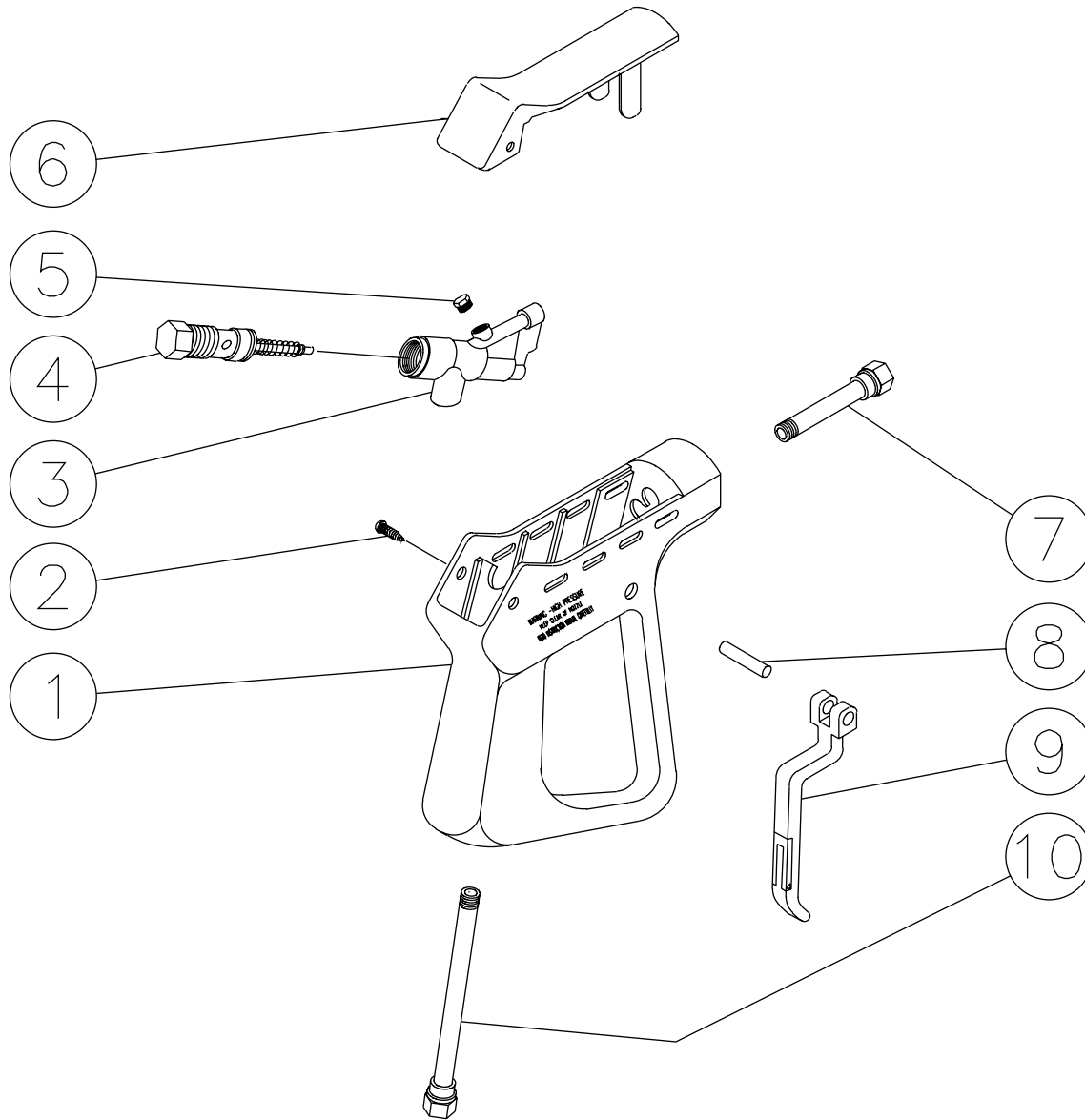
UNLOADER ASSEMBLY (8-0270)



OMGEN043-083094-BAR

UNLOADER ASSEMBLY (8-0270)			
REF. #	DESCRIPTION	PART #	QTY.
1	Hex Nut	30-7203	2
2	Spring Guide	8-0278	1
3	Spring	49-0111	1
4	Piston Housing	8-0279	1
5	O-ring	25-0189	3
6	Back-up Ring	8-0277	1
7	O-ring	25-0192	1
8	Piston	8-0280	1
9	Pin	43-0059	1
10	Back-up Ring	8-0276	2
11	O-ring	25-0191	1
12	Plug	39-0055	2
13	Valve Housing	8-0275	1
14	O-ring	25-0193	1
15	Check Valve	22-0127	1
16	Spring	49-0058	1
17	Outlet Connection	8-0271	1
18	O-ring	25-0190	1
19	Seat	8-0272	1
20	Ball	8-0273	1
21	Spring	49-0059	1
22	Inlet Connection	8-0274	1
	Unloader Kit (5-7, 10, 11, 14, 18-20)	70-0107	1

GUN ASSEMBLY (16-0001)



16-0001-110399-RD

16-0001-110399-RD

GUN ASSEMBLY (16-0001)			
REF. #	DESCRIPTION	PART #	QTY.
1	Plastic Housing	16-0008	1
2	Screw	27-3230	2
3	Brass Housing	16-0012	1
4	Gun Repair Kit	70-0055	1
5	Brass Plug	39-0024	1
6	Plastic Cover	16-0009	1
7	Pipe Assembly	16-0013	1
8	Trigger Pin	16-0063	1
9	Trigger/Safety Lock-off	16-0010	1
10	Pipe Assembly- Inlet	16-0016	1
	Complete Gun Assembly	16-0001	1

